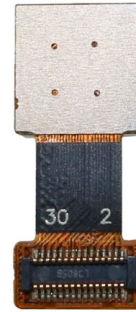


YDS-OV13850-L55B V2.2

13MP OmniVision OV13850 MIPI Interface Auto Focus Camera Module



Front View



Back View

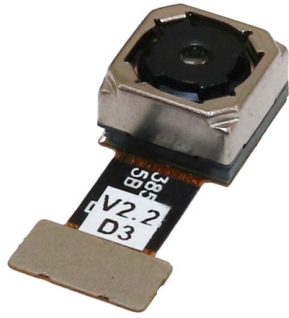
Specifications

Camera Module No.	YDS-OV13850-L55B V2.2
Resolution	13MP
Image Sensor	OV13850
Sensor Type	1/3.06"
Pixel Size	1.12 um x 1.12 um
EFL	3.85 mm
F.NO	2.20
Pixel	4224 x 3136
View Angle	74.4°(DFOV) 62.7°(HFOV) 48.7°(VFOV)
Lens Dimensions	8.50 x 8.50 x 5.60 mm
Module Size	20.00 x 8.50 mm
Module Type	Auto Focus
Interface	MIPI
Auto Focus VCM Driver IC	DW9714P
Lens Type	650nm IR Cut
Operating Temperature	-30°C to +85°C
Mating Connector	GB042-30S-H10



YDS-OV13850-L55B V2.2

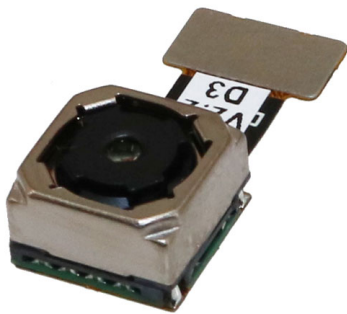
13MP OmniVision OV13850 MIPI Interface Auto Focus Camera Module



Top View



Side View



Bottom View

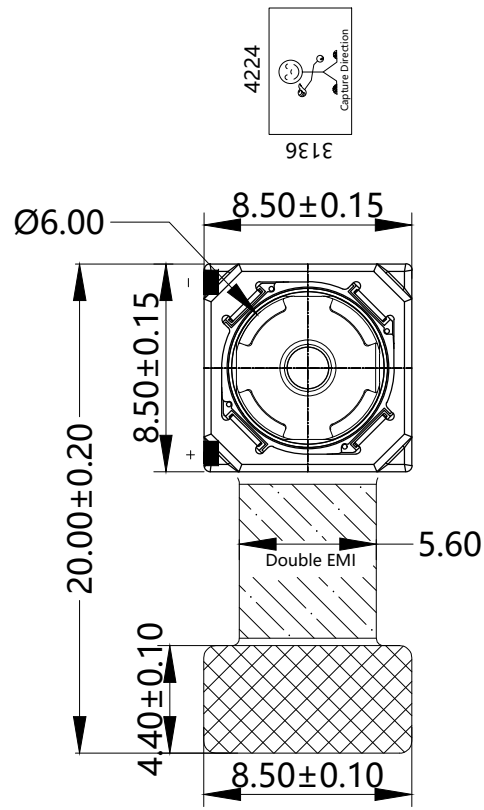


Mating Connector

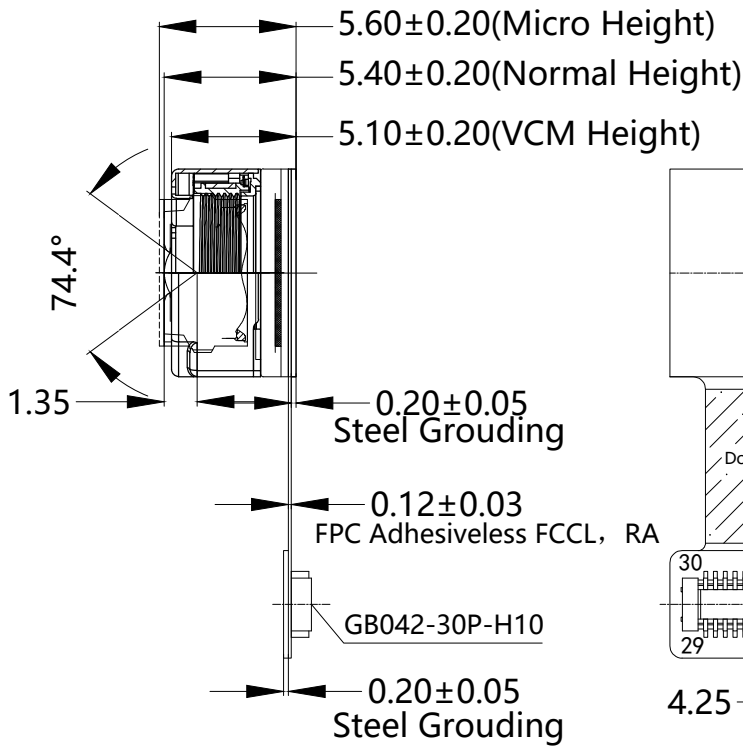
RoHS

1	DGND
2	DGND
3	DGND
4	XSHUTDOWN(RST)
5	VDD_VCM 2.8V
6	PWDN_VCM
7	SDA
8	DOVDD 1.8V
9	SCL
10	DVDD 1.2V
11	DGND
12	PWDN (Sensor)
13	CLK_N
14	NC
15	CLK_P
16	DGND
17	DATA0_N
18	MCLK
19	DATA0_P
20	DGND
21	DATA1_N
22	Flash(XVS)
23	DATA1_P
24	AVDD2.8V
25	NC
26	AGND
27	DATA2_N
28	DATA3_N
29	DATA2_P
30	DATA3_P

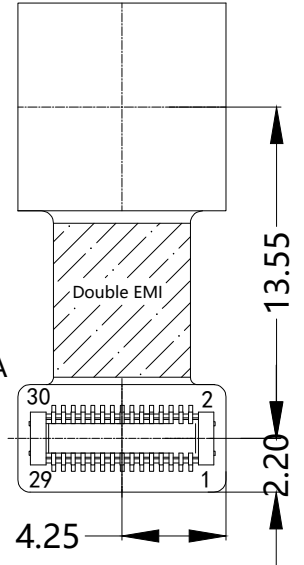
Version	Information	Date
V1.0	First Version	9-6-2017
V2.0	Change the layout and VCM	10-26-2017
V2.2	Change VCM	2-15-2023



TOP VIEW



SIDE VIEW



BOTTOM VIEW

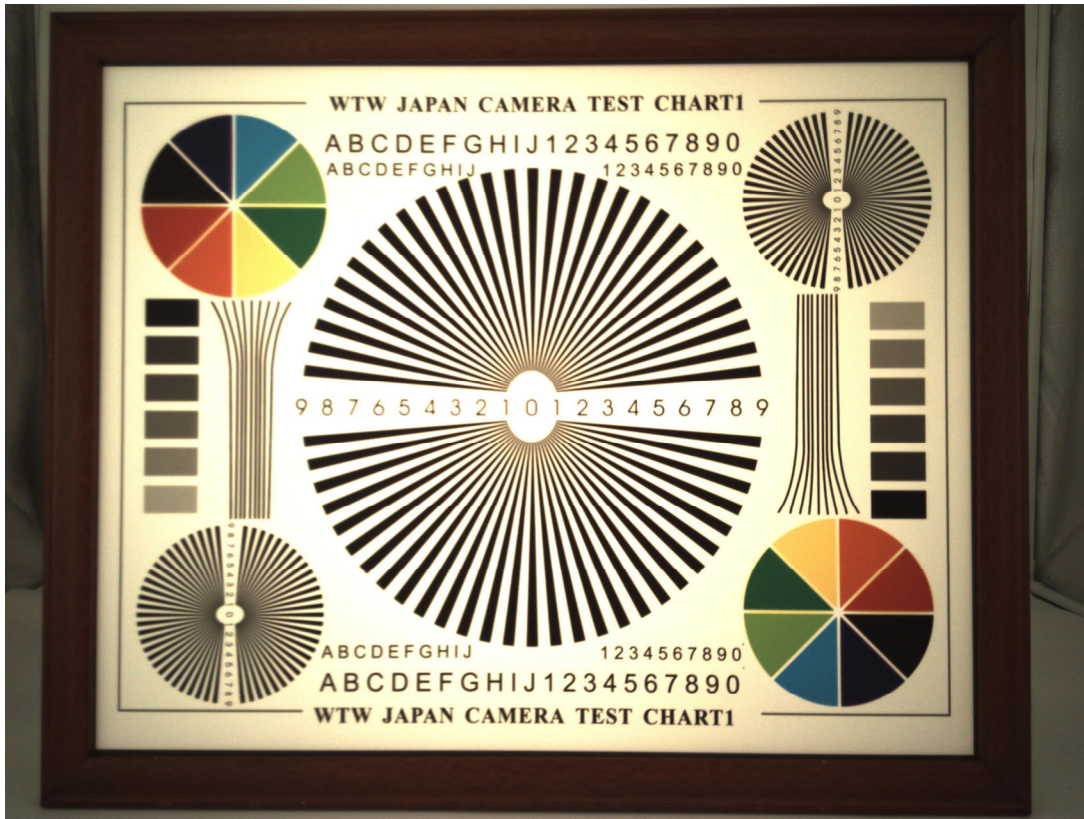
NOTE:
1.The device slave address:0x20(w);0x21(r)

Parameters:	
1、 Sensor specification:	2、 Lens specification:
Image Sensor: OV13850_R2A	FOV: 74.4°(D);62.7°(H);48.7°(V);
Pixel: 1.12um*1.12um	F/NO.: 2.2
Lens Type: 1/3.06	TV distortion: <1.5%
Important Voltage Description:	Focal length: 3.85mm
DVDD1.2V (external power supply);	Composition: 5P+IR FILTER
	IR Cut Coating: 650nm±10nm@50%

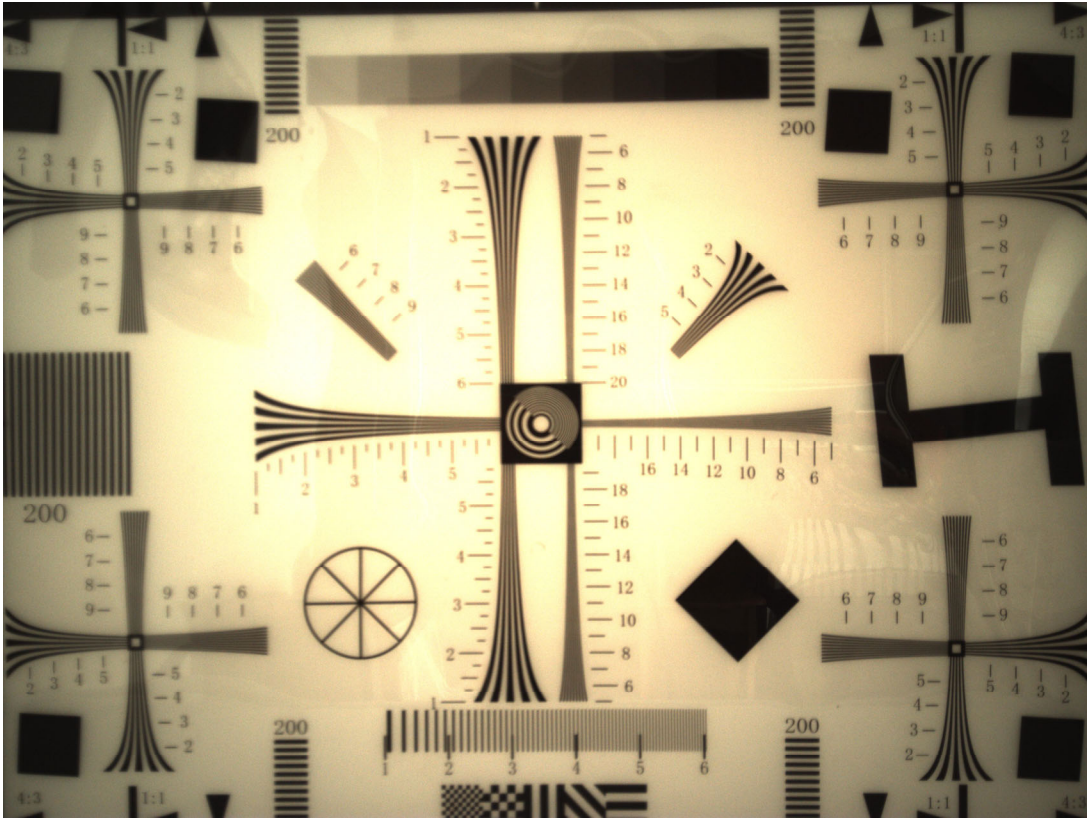
Designed By	Kevin	Model Name:	OV13850-L55B V2.2		
Checked By	Aouly_Yan	Projection Type:	Unit:	Material:	
			mm	-----	
		Scale:	Sheet:	Version:	
		1:1	1 of 1	1/0	

Real Test Images

OV13850-L55B V2.2

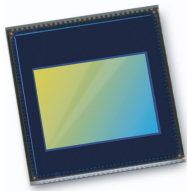


Real Test Images
OV13850-L55B V2.2



Real Test Images
OV13850-L55B V2.2





OV13850 13MP product brief



Power-Efficient 13-Megapixel Image Sensor with Best-In-Class Performance for High-End Smartphones and Tablets



available in a lead-free package

The OV13850 is a high performance PureCel™ 13-megapixel CameraChip™ sensor that delivers best-in-class high- and low-light performance, as well as dramatically reduced power consumption for smartphones and tablets.

The OV13850 sensor offers a number of performance enhancements, including improved full-well capacity (FWC) and sensitivity for industry-leading high- and low-light performance. It also offers a 40 percent reduction in power consumption compared to our previous generation sensor, making the OV13850 ideally suited for feature-rich mobile devices.

The 1/3.06-inch OV13850 supports an active array of 4224 x 3136 pixels (13.2-megapixels) operating at 30 frames per second (fps) for zero shutter lag and can seamlessly transition between recording video and capturing still images. Additionally, the sensor supports 4K2K ultra-high definition video at 30 fps with full-horizontal field of view (FOV) and electronic image stabilization (EIS), as well as high frame rate 1080p HD video at 60 fps with EIS to enable high quality videos.

The OV13850 fits into an industry standard 8.5 x 8.5 x 5 mm module.

Find out more at www.ovt.com.

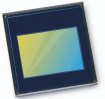
Applications

- Cellular Phones
- Tablets
- PC Multimedia

Product Features

- PureCel™ image sensor
- 1.12 μm x 1.12 μm pixel
- optical size of 1/3.06"
- 31.2° CRA for $\pm 6\text{ mm}$ z-height
- programmable controls for frame rate, mirror and flip, cropping, and windowing
- support for image sizes: 13.2MP (4224x3136), 10MP (16:9 - 4224x2376), 4K2K (3840x2160), EIS 1080p (2112x1188), EIS 720p (1408x792), and more
- 13.2MP at 30 fps
- two-wire serial bus control (SCCB)
- strobe output to control flash
- 8 kbits of embedded one-time programmable (OTP) memory
- two on-chip phase lock loops (PLLs)
- programmable controls: gain, exposure, frame rate, image size, horizontal mirror, vertical flip, cropping, and panning
- image quality controls: defect pixel correction, automatic black level calibration, lens shading correction, and alternate row HDR
- built-in temperature sensor
- suitable for module size of 8.5 x 8.5 x $\pm 6\text{ mm}$

OV13850



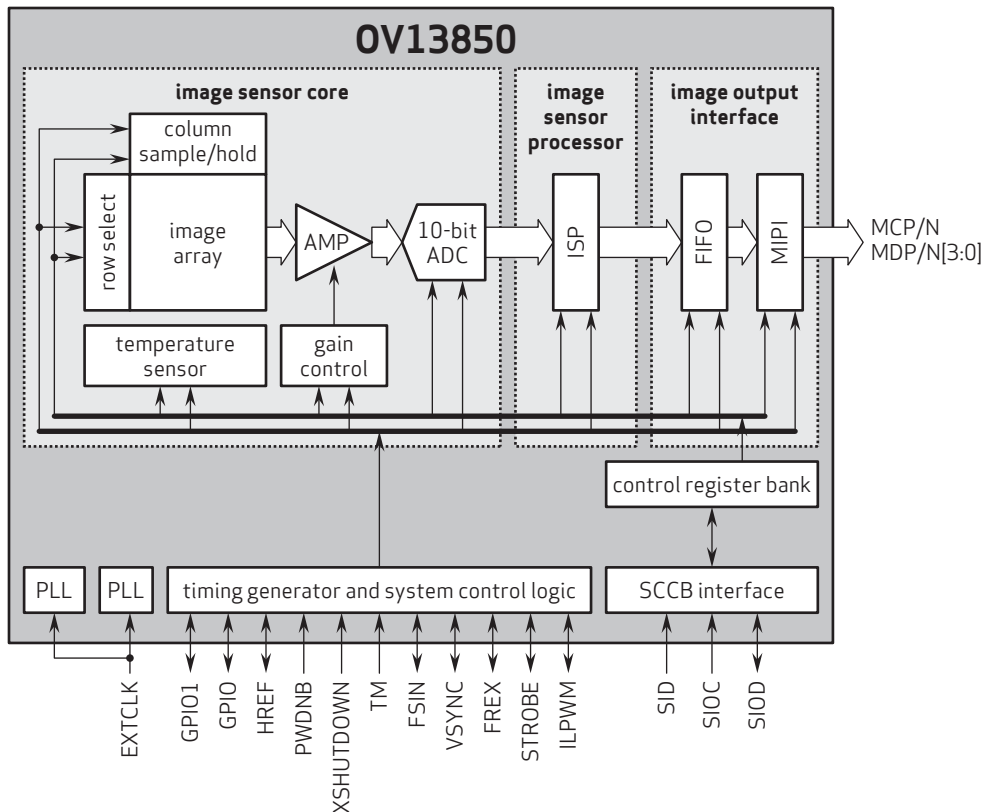
Ordering Information

- **OV13850-G04A**
(color, chip probing, 200 μm backgrinding, reconstructed wafer with good die)

Product Specifications

- **active array size:** 4224 x 3136
- **power supply:**
 - core: 1.14 - 1.26V (1.2V nominal)
 - analog: 2.6 - 3.0V (2.8V nominal)
 - I/O: 1.7 - 3.0V (1.8V or 2.8V nominal)
- **power requirements:**
 - active: 223 mW
 - standby: 300 μW
 - XSHUTDOWN: 1 μW
- **temperature range:**
 - operating: -30°C to +85°C junction temperature
 - stable image: 0°C to +60°C junction temperature
- **output interfaces:** up to 4-lane MIPI serial output
- **output formats:** 10-bit RGB RAW
- **lens size:** 1/3.06"
- **lens chief ray angle:** 31.2°
- **input clock frequency:** 6 - 64 MHz
- **maximum image transfer rate:** 30 fps
- **scan mode:** progressive
- **pixel size:** 1.12 μm x 1.12 μm
- **image area:** 4815 μm x 3678.3 μm
- **die dimensions:** 6210 μm x 5517 μm

Functional Block Diagram



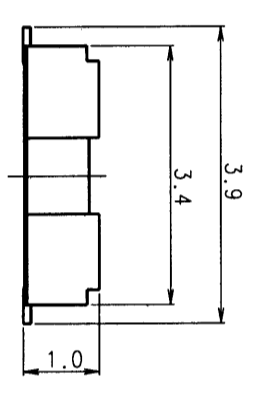
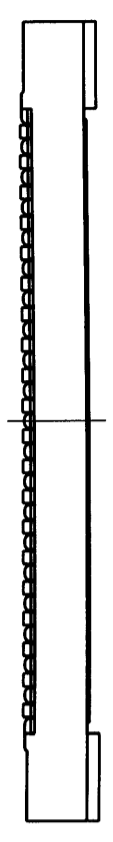
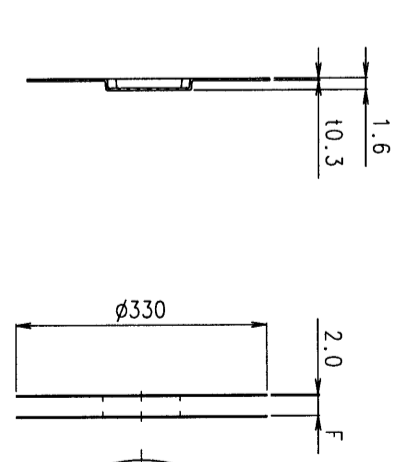
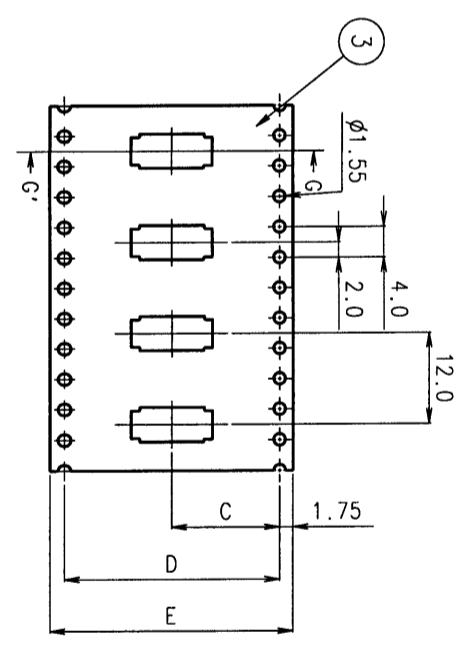
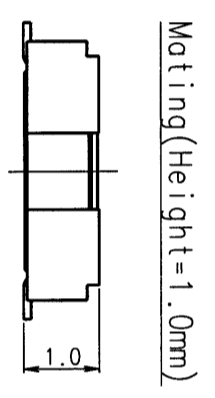
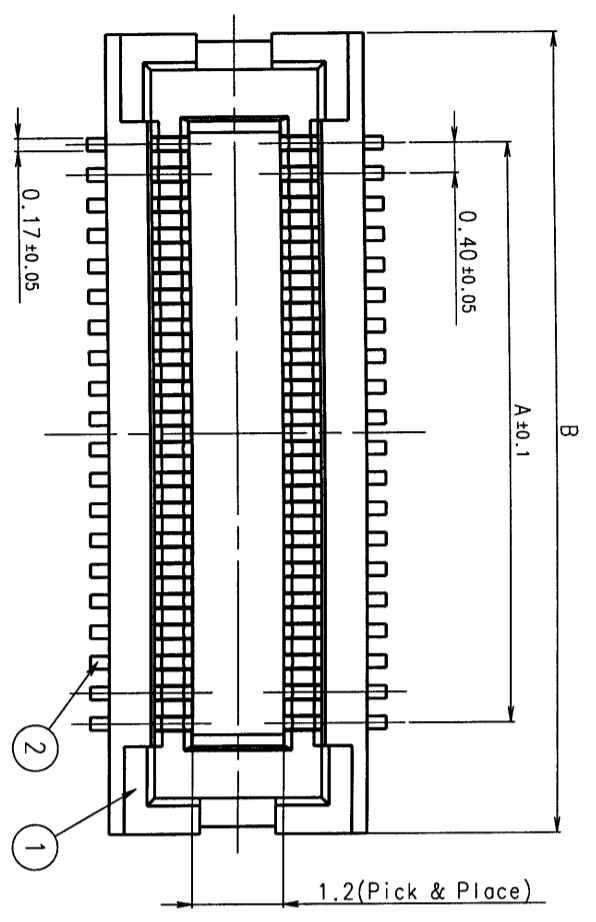
4275 Burton Drive
Santa Clara, CA 95054
USA

Tel: + 1 408 567 3000
Fax: + 1 408 567 3001
www.ovt.com

OmniVision reserves the right to make changes to their products or to discontinue any product or service without further notice. OmniVision, the OmniVision logo and VarioPixel are registered trademarks of OmniVision Technologies, Inc. PureCel and OmniBSI are trademarks of OmniVision Technologies, Inc. All other trademarks are the property of their respective owners.

OmniVision

REV. NO	DATE	DCN. NO	REMARKS	DES'D	CHE'D	APP'D



Recommended PCB Lay-Out

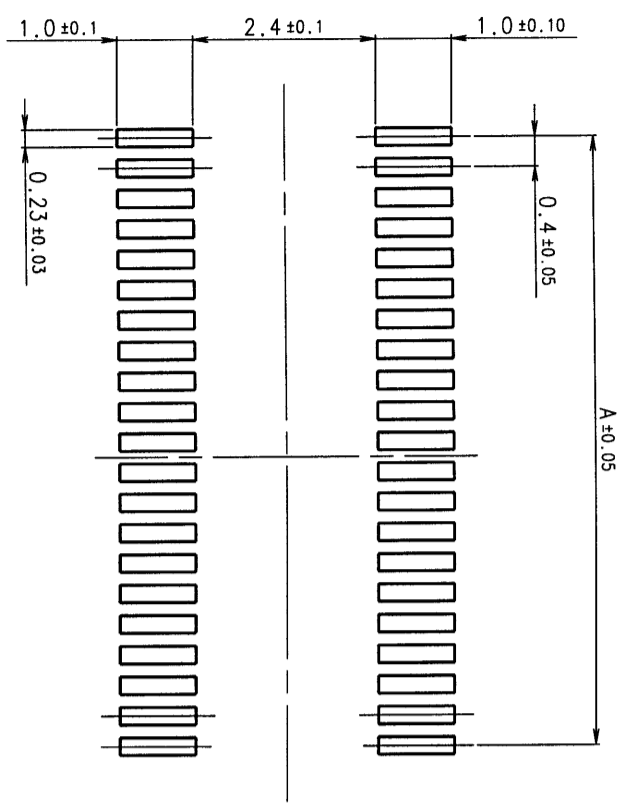


Table-1

No. of Positions	A	B	C	D	E	F
20	3.6	6.5	7.5	—	16.0	18.0
24	4.4	7.3	—	—	—	—
30	5.6	8.5	—	—	—	—
34	6.4	9.3	—	—	—	—
40	7.6	10.5	11.5	—	24.0	26.0
50	9.6	12.5	—	—	—	—
54	10.4	13.3	—	—	—	—
60	11.6	14.5	—	—	—	—
70	13.6	16.5	14.2	28.4	32.0	34.0
80	15.6	18.5	—	—	—	—

UNIT - mm
 GENERAL TOLERANCES:
 DIMENSION . X ± 0.2
 . XX ± 0.1
 ANGLES X . X

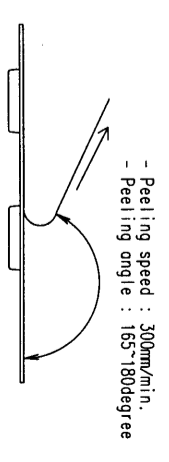
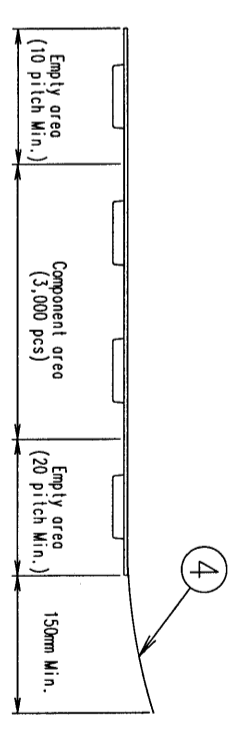
[NOTE] 1. Ordering Information

GB042 - ** S - H10 - E3000
 No of _____ Receptacle _____ 3,000pcs/Plastic reel
 position _____

2. Packing Specification

3. Peel strength : 10~70g

4. Co-Planarity of contacts is 0.1mm Max.



ITEM	DESCRIPTION	Q'TY	MATERIAL	FINISH	REMARKS
1	Recep. Insulator	1	Engineering Plastic	-	UL94V-0
2	Recep. Contact	n	Copper Alloy	Au over Ni	-
3	Carrier Tape	1	Polyester or Polystyrene	-	-
4	Cover Tape	1	Polyester or Polystyrene	-	-
5	Bobbin	1	Plastic	-	-

REFERENCE DOCUMENT	DATE	SCALE	SIZE	DWG. NO
LGCC(25)-K-AS118	Mar. 31. 2005	10/1	A3	GUS511802
MATERIAL	DESIGNED	TITLE	GB042 Receptacle (GB042-**S-H10)	
TREATMENT	CHECKED	555, Hoeye-Dong, Anyang-Si, Kyungki-Do, 430-080, KOREA		
FINISH	APPROVED	SERIES	SHEET	
	D.H.Kim	GB042	1 / 1	

GB042 series

0.4mm pitch PCB to PCB Connector

GB042 series | Receptacle & Embossed Tape Assembly



Features

- GB042 series Connector is 0.4 mm pitch, low profile PCB to PCB SMT type connector.
- Improved contact reliability with plug and receptacle contacting at 2 point simultaneously.
- Stable unmating mechanism preventing receptacle contact from being deformed.

Applications

- Mobile phone
- Compact portable devices, etc

Materials & Finishes

Parts	Materials / Finishes
Insulator	UL94V-0
Plug	Copper Alloy
Recept.	Copper Alloy
	AU Plating
	AU Plating

Specifications

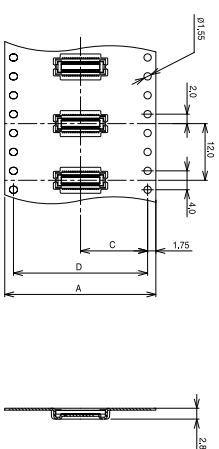
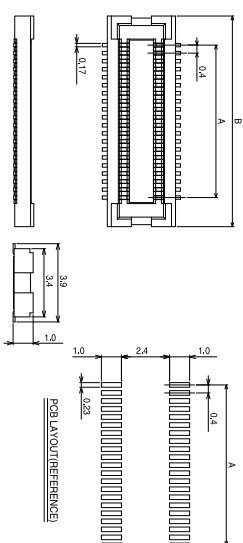
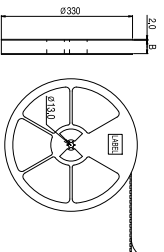
No. of Contacts	10-80
Stacking Height	1.0mm
Contact Spacing	0.4mm
Current Rating	AC, DC 0.3A/pin
Voltage Rating	AC, DC 50V
Dielectric Withstanding Voltage	AC 250V (r.m.s for one minute)
Insulation Resistance	1000MΩ
Contact Resistance	70mΩ
Operating Temp.	-25°C ~ +85°C

Embossed Tape Assembly



Receptacle

Bobbin



Ordering Information

GB042 Series

40 No. of Contacts

P Contact Type
P Plug
S Receptacle

H10 Mating Height

No. of Pin	Part Number	Receptacle		Embossed Tape Assembly			
		A	B	A	B	C	D
10	GB042-10S-**-H10-E3000	1.6	4.5				
20	GB042-20S-**-H10-E3000	3.6	6.5	16.0	18.0	7.5	-
24	GB042-24S-**-H10-E3000	4.4	7.3				
28	GB042-28S-**-H10-E3000	5.2	8.1				
30	GB042-30S-**-H10-E3000	5.6	8.5				
34	GB042-34S-**-H10-E3000	6.4	9.3				
40	GB042-40S-**-H10-E3000	7.6	10.5	24.0	26.0	11.5	-
44	GB042-44S-**-H10-E3000	8.4	11.3				
50	GB042-50S-**-H10-E3000	9.6	12.5				
54	GB042-54S-**-H10-E3000	10.4	13.3				
60	GB042-60S-**-H10-E3000	11.6	14.5				
64	GB042-64S-**-H10-E3000	12.4	15.3	32.0	34.0	14.2	28.4
70	GB042-70S-**-H10-E3000	13.6	16.5				

Cameras Applications



Automotive Driver Pilot



Live Streaming



Video Conference



Eye Tracker Biometric Detection



Machine Vision



Agricultural Monitor



Night Vision Security



Drone and Sports Eagle Eyes



Interactive Pet Camera



YDS CAMERA MODULE

your best camera partner

Camera Module Pinout Definition Reference Chart

OmniVision	Sony	Samsung	On-Semi	Aptina	Himax	GalaxyCore	PixArt	SmartSens	Sensors
Pin Signal		Description							
DGND GND		ground for digital circuit							
AGND		ground for analog circuit							
PCLK DCK		DVP PCLK output							
XCLR PWDN XSHUTDOWN STANDBY		power down active high with internal pull-down resistor							
MCLK XVCLK XCLK INCK		system input clock							
RESET RST		reset active low with internal pull-up resistor							
NC NULL		no connect							
SDA SIO_D SIOD		SCCB data							
SCL SIO_C SIOC		SCCB input clock							
VSYNC XVS FSYNC		DVP VSYNC output							
HREF XHS		DVP HREF output							
DOVDD		power for I/O circuit							
AFVDD		power for VCM circuit							
AVDD		power for analog circuit							
DVDD		power for digital circuit							
STROBE FSTROBE		strobe output							
FSIN		synchronize the VSYNC signal from the other sensor							
SID		SCCB last bit ID input							
ILPWM		mechanical shutter output indicator							
FREQ		frame exposure / mechanical shutter							
GPIO		general purpose inputs							
SLASEL		I2C slave address select							
AFEN		CEN chip enable active high on VCM driver IC							
MIPI Interface									
MDN0 DN0 MD0N DATA_N DMO1N		MIPI 1st data lane negative output							
MDP0 DP0 MD0P DATA_P DMO1P		MIPI 1st data lane positive output							
MDN1 DN1 MD1N DATA2_N DMO2N		MIPI 2nd data lane negative output							
MDP1 DP1 MD1P DATA2_P DMO2P		MIPI 2nd data lane positive output							
MDN2 DN2 MD2N DATA3_N DMO3N		MIPI 3rd data lane negative output							
MDP2 DP2 MD2P DATA3_P DMO3P		MIPI 3rd data lane positive output							
MDN3 DN3 MD3N DATA4_N DMO4N		MIPI 4th data lane negative output							
MDP3 DP3 MD3P DATA4_P DMO4P		MIPI 4th data lane positive output							
MCN CLKN CLK_N DCKN		MIPI clock negative output							
MCP CLKP MCP CLK_P DCKN		MIPI clock positive output							
DVP Parallel Interface									
D0 DO0 Y0		DVP data output port 0							
D1 DO1 Y1		DVP data output port 1							
D2 DO2 Y2		DVP data output port 2							
D3 DO3 Y3		DVP data output port 3							
D4 DO4 Y4		DVP data output port 4							
D5 DO5 Y5		DVP data output port 5							
D6 DO6 Y6		DVP data output port 6							
D7 DO7 Y7		DVP data output port 7							
D8 DO8 Y8		DVP data output port 8							
D9 DO9 Y9		DVP data output port 9							
D10 DO10 Y10		DVP data output port 10							
D11 DO11 Y11		DVP data output port 11							

www.YDSCAM.com sales@ydscam.com Phone (WeChat, QQ): (+86) 177 2732 6718

All rights reserved @ YingDeShun Co. Ltd. Specifications subject to change without notice.

Camera Reliability Test

Reliability Inspection Item		Testing Method	Acceptance Criteria	
Category	Item			
Environmental	Storage Temperature	High 60°C 96 Hours	Temperature Chamber	No Abnormal Situation
		Low -20°C 96 Hours	Temperature Chamber	No Abnormal Situation
	Operation Temperature	High 60°C 24 Hours	Temperature Chamber	No Abnormal Situation
		Low -20°C 24 Hours	Temperature Chamber	No Abnormal Situation
	Humidity	60°C 80% 24 Hours	Temperature Chamber	No Abnormal Situation
	Thermal Shock	High 60°C 0.5 Hours Low -20°C 0.5 Hours Cycling in 24 Hours	Temperature Chamber	No Abnormal Situation
Physical	Drop Test (Free Falling)	Without Package 60cm	10 Times on Wood Floor	Electrically Functional
		With Package 60cm	10 Times on Wood Floor	Electrically Functional
	Vibration Test	50Hz X-Axis 2mm 30min	Vibration Table	Electrically Functional
		50Hz Y-Axis 2mm 30min	Vibration Table	Electrically Functional
		50Hz Z-Axis 2mm 30min	Vibration Table	Electrically Functional
	Cable Tensile Strength Test	Loading Weight 4 kg 60 Seconds Cycling in 24 Hours	Tensile Testing Machine	Electrically Functional
Electrical	ESD Test	Contact Discharge 2 KV	ESD Testing Machine	Electrically Functional
		Air Discharge 4 KV	ESD Testing Machine	Electrically Functional
	Aging Test	On/Off 30 Seconds Cycling in 24 Hours	Power Switch	Electrically Functional
	USB Connector	On/Off 250 Times	Plug and Unplug	Electrically Functional



Camera Inspection Standard

Inspection Item		Inspection Method	Standard of Inspection		
Category	Item				
Appearance	FPC/ PCB	Color	The Naked Eye	Major Difference is Not Allowed.	
		Be Torn/Chopped	The Naked Eye	Copper Crack Exposure is Not Allowed.	
		Marking	The Naked Eye	Clear, Recognizable (Within 30cm Distance)	
	Holder	Scratches	The Naked Eye	The Inside Crack Exposure is Not Allowed	
		Gap	The Naked Eye	Meet the Height Standard	
		Screw	The Naked Eye	Make Sure Screws Are Presented (If Any)	
		Damage	The Naked Eye	The Inside Crack Exposure is Not Allowed	
	Lens	Scratch	The Naked Eye	No Effect On Resolution Standard	
		Contamination	The Naked Eye	No Effect On Resolution Standard	
		Oil Film	The Naked Eye	No Effect On Resolution Standard	
		Cover Tape	The Naked Eye	No Issue On Appearance.	
	Function	Image	No Communication	Test Board	Not Allowed
			Bright Pixel	Black Board	Not Allowed In the Image Center
Dark Pixel			White board	Not Allowed In the Image Center	
Blurry			The Naked Eye	Not Allowed	
No Image			The Naked Eye	Not Allowed	
Vertical Line			The Naked Eye	Not Allowed	
Horizontal Line			The Naked Eye	Not Allowed	
Light Leakage			The Naked Eye	Not Allowed	
Blinking Image			The Naked Eye	Not Allowed	
Bruise			Inspection Jig	Not Allowed	
Resolution			Chart	Follows Outgoing Inspection Chart Standard	
Color			The Naked Eye	No Issue	
Noise			The Naked Eye	Not Allowed	
Corner Dark			The Naked Eye	Less Than 100px By 100px	
Color Resolution			The Naked Eye	No Issue	
Dimension	Height	The Naked Eye	Follows Approval Data Sheet		
	Width	The Naked Eye	Follows Approval Data Sheet		
	Length	The Naked Eye	Follows Approval Data Sheet		
	Overall	The Naked Eye	Follows Approval Data Sheet		

YDSCAM Package Solutions

YDS Camera Module



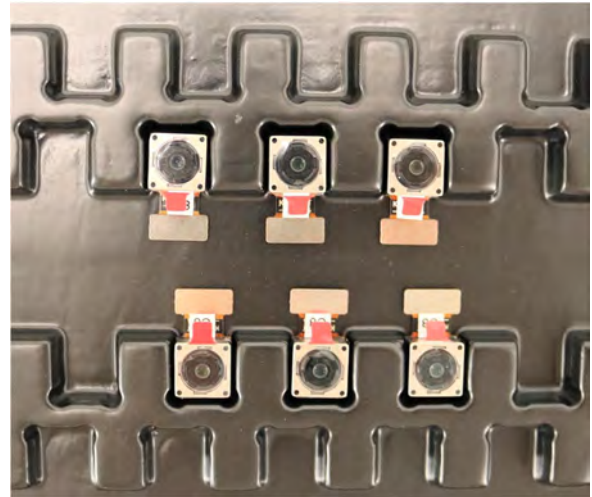
Complete with Lens Protection Film



Tray with Grid and Space



Place Cameras on the Tray



YDSCAM Package Solutions

Full Tray of Cameras



Cover Tray with Lid



Place Tray into Anti-Static Bag



Vacuum the Anti-Static Bag



YDSCAM Package Solutions

Sealed Vacuum Anti-Static Bag with Labels

1. Model and Description 2. Quantity 3. Manufacturing Date Code 4. Caution



YDSCAM Package Solutions

Place Foam Sheets Between Tray Bags



Foam Sheets are Larger Than Trays



Place Foam Sheets and Trays into Box



Foam Sheets are Tightly Fitting in Box



Seal the Carbon Box



Label the Carbon Shipping Box

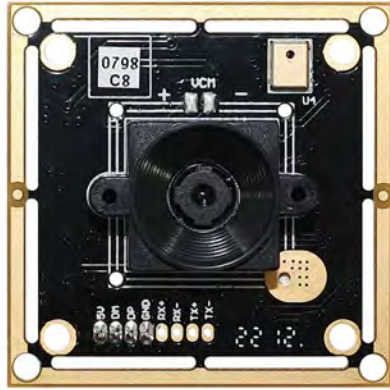




YDSCAM Package Solutions

USB Camera Module

Complete with Lens Protection Film



Place Camera Sample into Anti-Static Bag

Place USB Cameras into Tray



Seal the Tray with Anti-Static Bag

Label the Carbon Shipping Box



YDSCAM Package Solutions

Place Camera Sample into Anti-Static Bag



Place Connectors into Anti-Static Bag



Label the Sample Bags



Place Connectors into Reel



Place Samples into the Carbon Box



Place Connectors into the Carbon Box





YDS CAMERA MODULE

your best camera partner

Company YDSCAM

YingDeShun Co. Ltd. (YDS) was established in 2017, a next-generation technology driven manufacturer specialized in research, design, and produce of audio and video products. YDS is occupying 20,000 square feet automated plants with 100 employees of annual throughput 30,000,000 units cameras.

YDS provides OEM, ODM design, contract manufacturing, and builds the camera products. You may provide the requirements to us, even with a hand draft, our sales and engineering work together to meet your needs. We consider ourselves your last-term partner in developing practical and innovative solutions.

Our team covers everything from initial concept development to mass produced product. YDS specializes in customized camera design, raw material, electronic engineering, firmware/software development, product testing, and packing design. Our experienced strategic supply systems offer a robust and dependable manufacturing capacity for orders of various sizes.



Limited Warranty

YDS provides the following limited warranty if you purchased the Product(s) directly from YDS company or from YDS's website www.YDSCAM.com. Product(s) purchased from other sellers or sources are not covered by this Limited Warranty. YDS guarantees that the Product(s) will be free from defects in materials and workmanship under normal use for a period of one (1) year from the date you receive the product ("Warranty Period").

For all Product(s) that contain or develop material defects in materials or workmanship during the Warranty Period, YDS will, at its sole option, either: (i) repair the Product(s); (ii) replace the Product(s) with a new or refurbished Product(s) (replacement Product(s) being of identical model or functional equivalent); or (iii) provide you a refund of the price you paid for the Product(s).

This Limited Warranty of YDS is solely limited to repair and/or replacement on the terms set forth above. YDS is not reliable or responsible for any subsequent events.



www.YDSCAM.com sales@ydscam.com Phone (WeChat, QQ): (+86) 177 2732 6718

All rights reserved @ YingDeShun Co. Ltd. Specifications subject to change without notice.



YDS CAMERA MODULE

your best camera partner

YDS Strength

Powerful Factory



Professional Service



Promised Delivery



www.YDSCAM.com sales@ydscam.com Phone (WeChat, QQ): (+86) 177 2732 6718

All rights reserved @ YingDeShun Co. Ltd. Specifications subject to change without notice.